

**jetspray™**  
BY CORNELIUS

**MODEL JT30**  
3 FLAVOR  
VISUAL DISPLAY DISPENSER



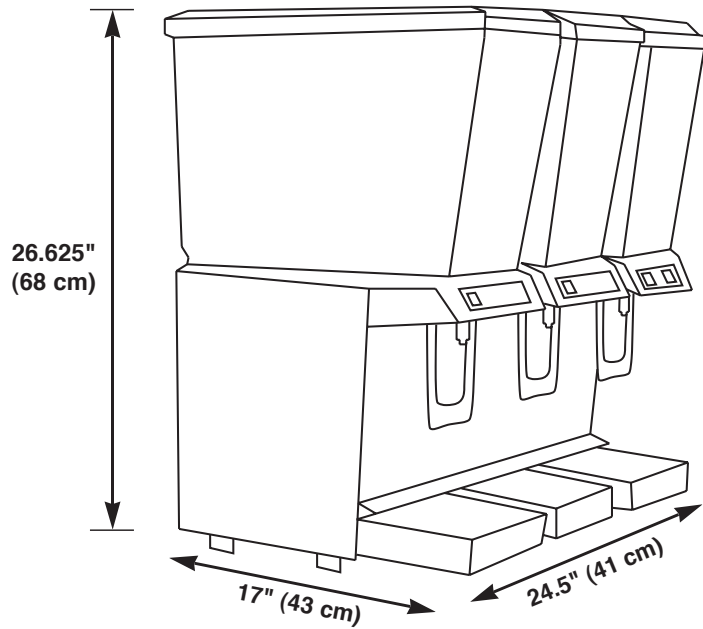
## FEATURES:

- Visual display dispensing system creates impulse sales
- Interchangeable 3 (11 L) and 5 (19 L) gallon bowls can mix and match to meet variable product demand
- JWT 300 Series is available in any combination of 1, 2 or 3 in-bowl whippers to serve a variety of whipped
- Unique pinch tube system reliably dispenses all types of beverages, including those with heavy pulp
- Constant recirculation of beverage keeps drinks chilled and fresh
- No downtime because any one bowl can be removed and sanitized while the other two operate
- Easy cleaning and maintenance



CATG8621-0708

**JUICE**



PART NUMBER	DESCRIPTION
A8530	Cold Beverage Dispenser JT30, Visual Three Bowl, 5 Gal Spray Type, 115V / 60Hz

### TECHNICAL SPECIFICATIONS:

CABINETRY . . . . . White plastic and stainless steel

BEVERAGE BOWL & COVER . . . . Transparent, virtually unbreakable LEXAN® resin.

NET WEIGHT . . . . . JT Series:  
68 lb (30.9 kg)

SHIPPING WEIGHT . . . . . JT Series:  
83 lb (37.7 kg)

BEVERAGE CAPACITY . . . . . Large: ~15 gal (57 L)  
Small: ~9 gal (34 L)

CUP CLEARANCE . . . . . 9"

REFRIGERATION . . . . . JetSpray 1/3 HP hermetically sealed system R134a

PACKAGING . . . . . Packed in 4 cartons, 1 for base and 3 for bowls

AGENCY LISTINGS . . . . .   

